

TEMPEST[™] excellence

SERVICE BULLETIN

MANDATORY

Service Bulletin Number: SB-003

(Technical Aspects are FAA Approved.)

Subject: Vacuum Pump Replacement.

Applicability: MODELS AFFECTED: New vacuum pumps manufactured by Aero Accessories, Inc. model number AA3216CW (new pumps) and Airborne pumps model 216CW overhauled by Aero Accessories, Inc. Whose serial numbers are included in the ranges listed below. These pumps were manufactured between March 1, 2005 and August 11, 2005.

NEW PUMP MODEL AA3216CW, serial numbers N31670 thru N34175 inclusive, except serial number N33994.

Overhauled Airborne Model 216CW with serial numbers 36735 thru 40087 inclusive, except the following serial numbers: 38465, 38506, 38510, 38512, 38513, 38514, 38516, 38517, 39509, 39965 thru 39972, and 40003 thru 40020.

TIME OF COMPLIANCE: Compliance is required immediately. Do not conduct flight in IFR meteorological conditions until affected pumps are removed and replaced with non-affected pumps.

Aero Accessories, Inc. has determined that a number of vacuum pumps with Aero Accessories model number AA3216CW (new pumps) and a number of overhauled Airborne vacuum pumps with model number 216CW may not have been manufactured or overhauled with acceptable standards. These pumps may fail prematurely.

If your aircraft has AA3216CW or 216CW type vacuum pumps installed and the serial number of that pump(s) falls within the ranges cited above, do not operate the aircraft in instrument meteorological conditions prior to replacing the affected pump(s). VFR flights during which reliance on vacuum powered instruments is not required may be conducted prior to replacing the pump(s). Affected pumps must be replaced within the next 10 hours of operation or 60 days from the date of this Service Bulletin.

DO NOT enter IFR conditions until affected pumps are replaced.

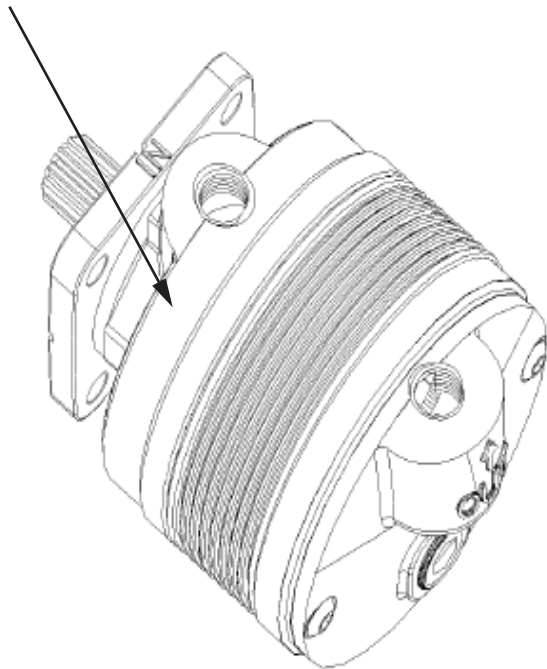
ISSUED			REVISED			 Aero Accessories, Inc. 1240 Springwood Avenue Gibsonville, N.C. USA	PAGE No.	REVISION
MO	DAY	YR	MO	DAY	YR		1 of 2	Original
09	14	05	00	00	00			

Service Bulletin Number: SB-003

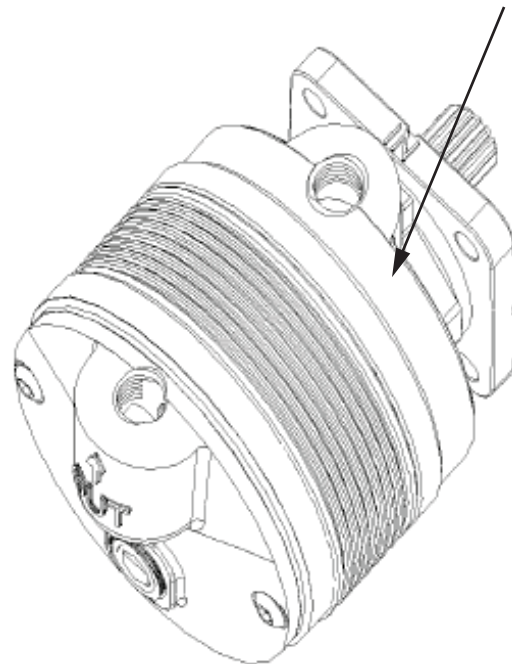
(Technical Aspects are FAA Approved)

To identify affected pumps, check the model and serial number decals located on the periphery of the pump's front cover. If the model and serial number of the pump(s) falls within the ranges listed on Page 1 of this service bulletin, the pump is affected and must be replaced. If the serial number is obliterated, call Aero Accessories, Inc. at 1-800-822-3200 for assistance.

Model Number



Serial Number



AA3216CW Shown, Others similar

Warranty: If replacement is required, reimbursement is available for a replacement pump through Aero Accessories, Inc. distributors. Aircraft model and serial number from which the pump(s) was removed must accompany the returned pump(s) for warranty consideration.

ISSUED			REVISED			 Aero Accessories, Inc. 1240 Springwood Avenue Gibsonville, N.C. USA	PAGE No.	REVISION
MO	DAY	YR	MO	DAY	YR		2 of 2	Original
09	14	05	00	00	00			